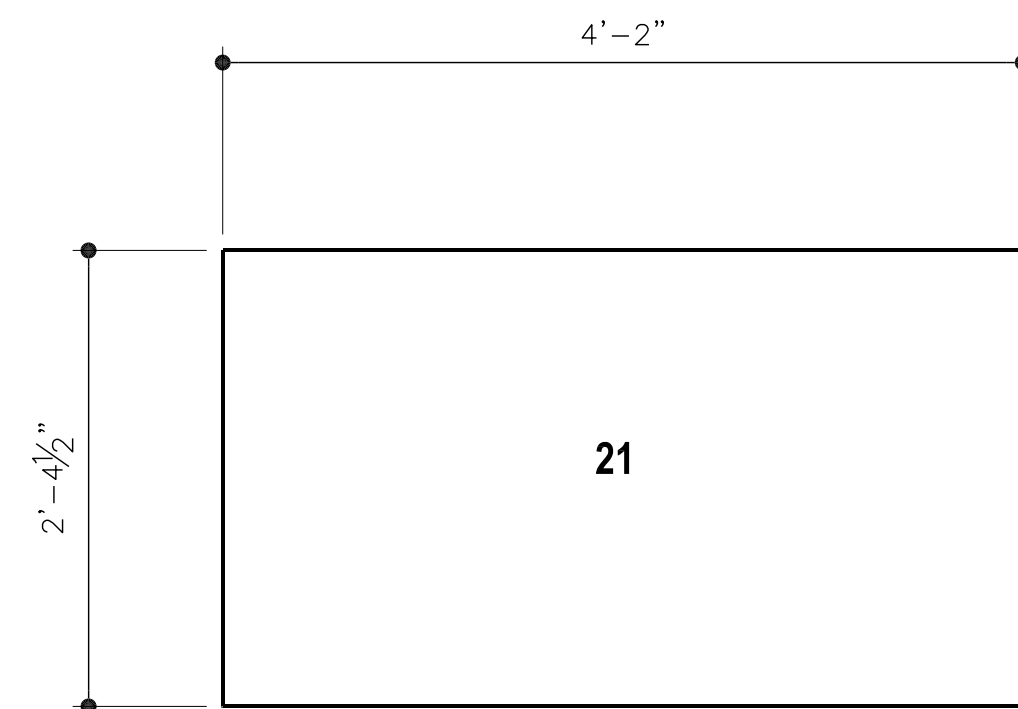


FireRock

The fireplace, *rekindled.*

VENT-FREE FIREPLACE SYSTEM



CHIMNEY PLAN SCALE: 3/4" = 1'-0"

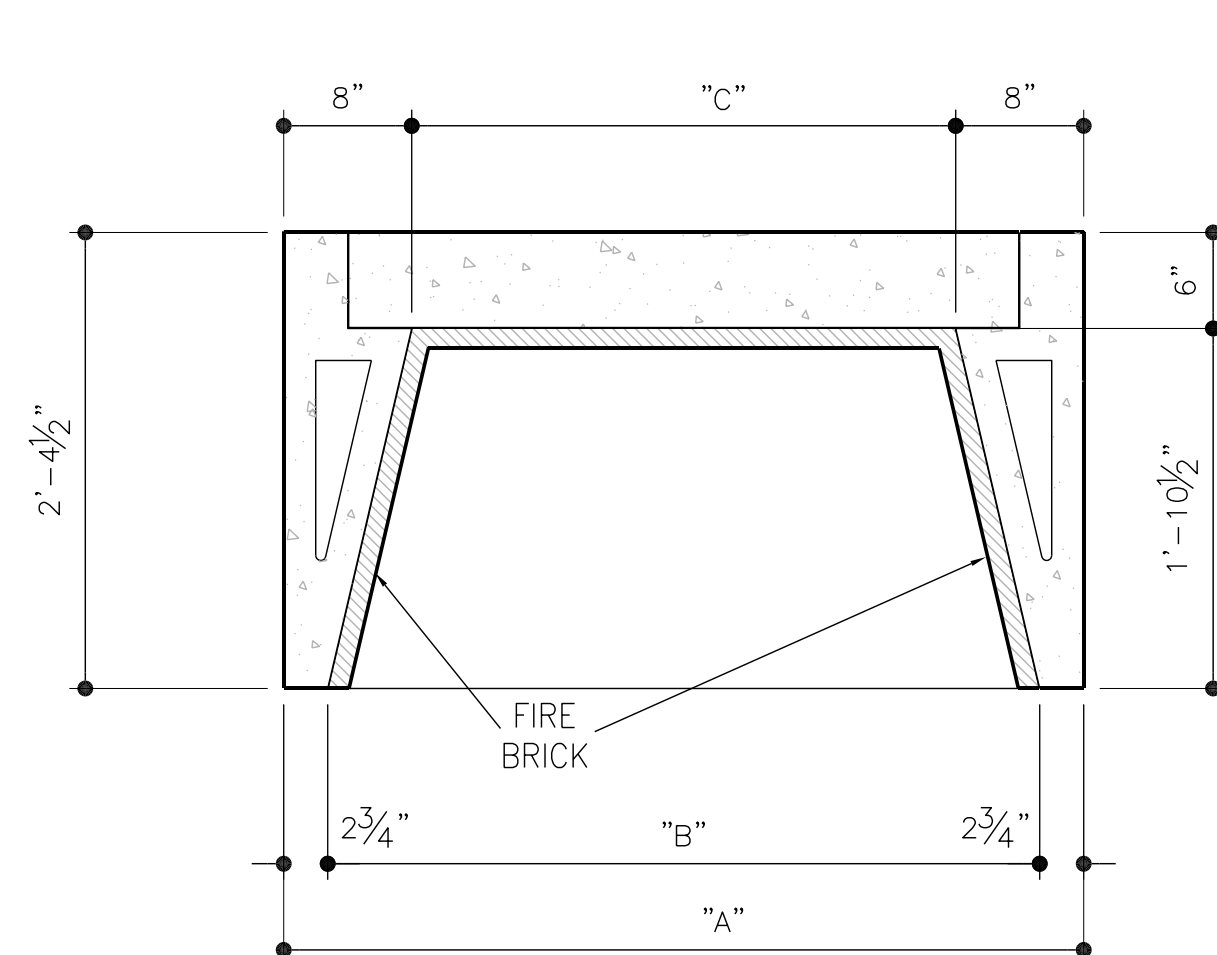
FIREPLACE SIZE	DIM A
30	38"
36	44"
42	50"
48	56"

42" SIZE SHOWN TO SCALE - THIS DRAWING

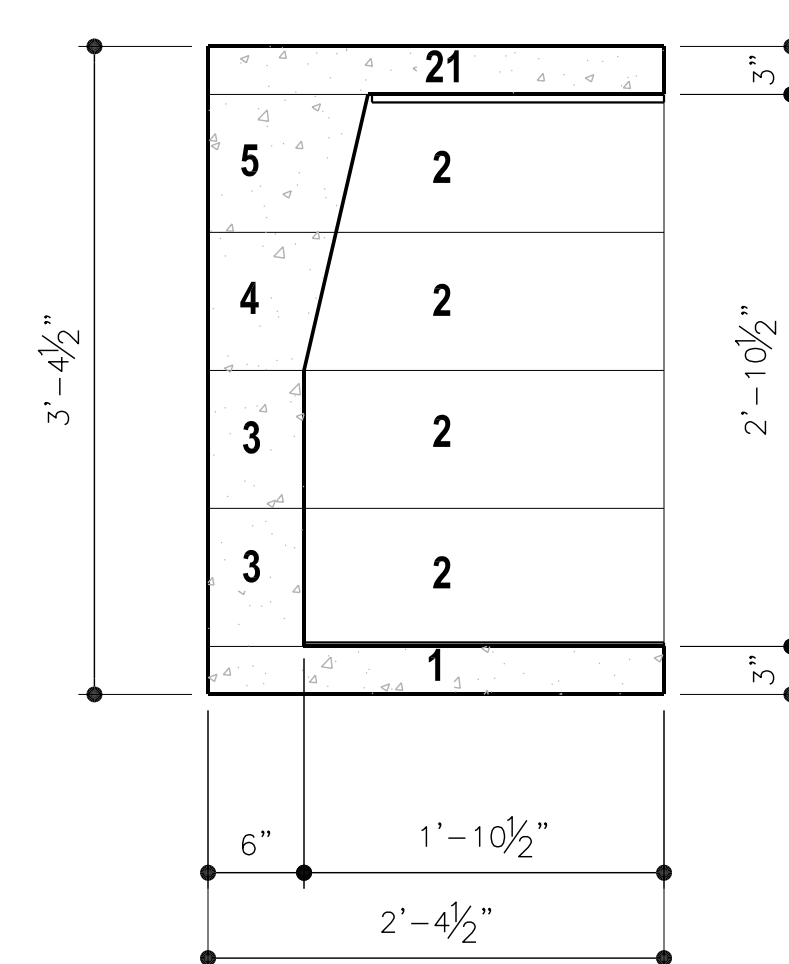
#	COMPONENT NAME
1	BASE PLATE
2	FIREBOX SIDE
3	FIREBOX BACK- STRAIGHT BACK BLOCK
4	FIREBOX BACK- LEVEL 3
5	FIREBOX BACK- LEVEL 4
21	TOP PLATE

1.) ALL DIMENSIONS SHOWN THIS SHEET ARE SPECIFIC TO THE 42" UNIT.

NOTE:
THIS SYSTEM REQUIRES MAXIMUM 40,000 BTU VENT-FREE GAS LOG APPLIANCE

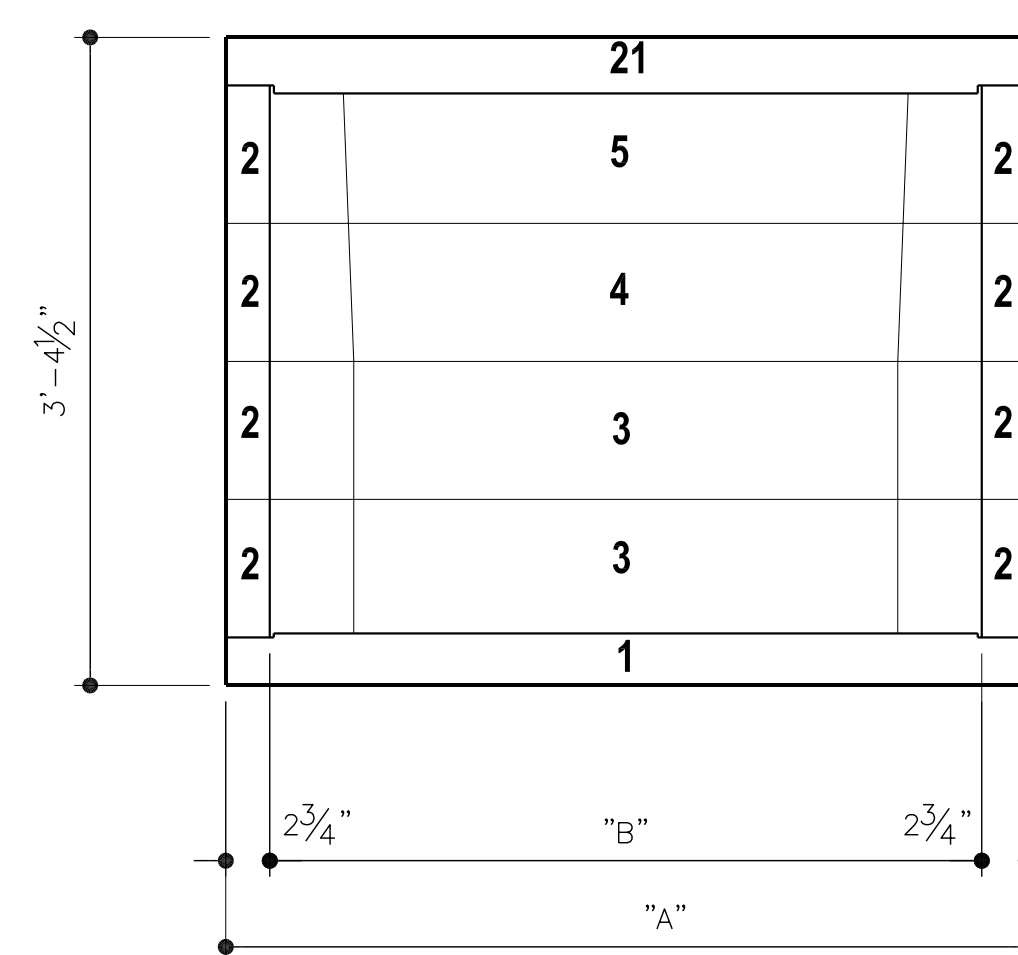


FIREBOX PLAN SCALE: 3/4" = 1'-0"



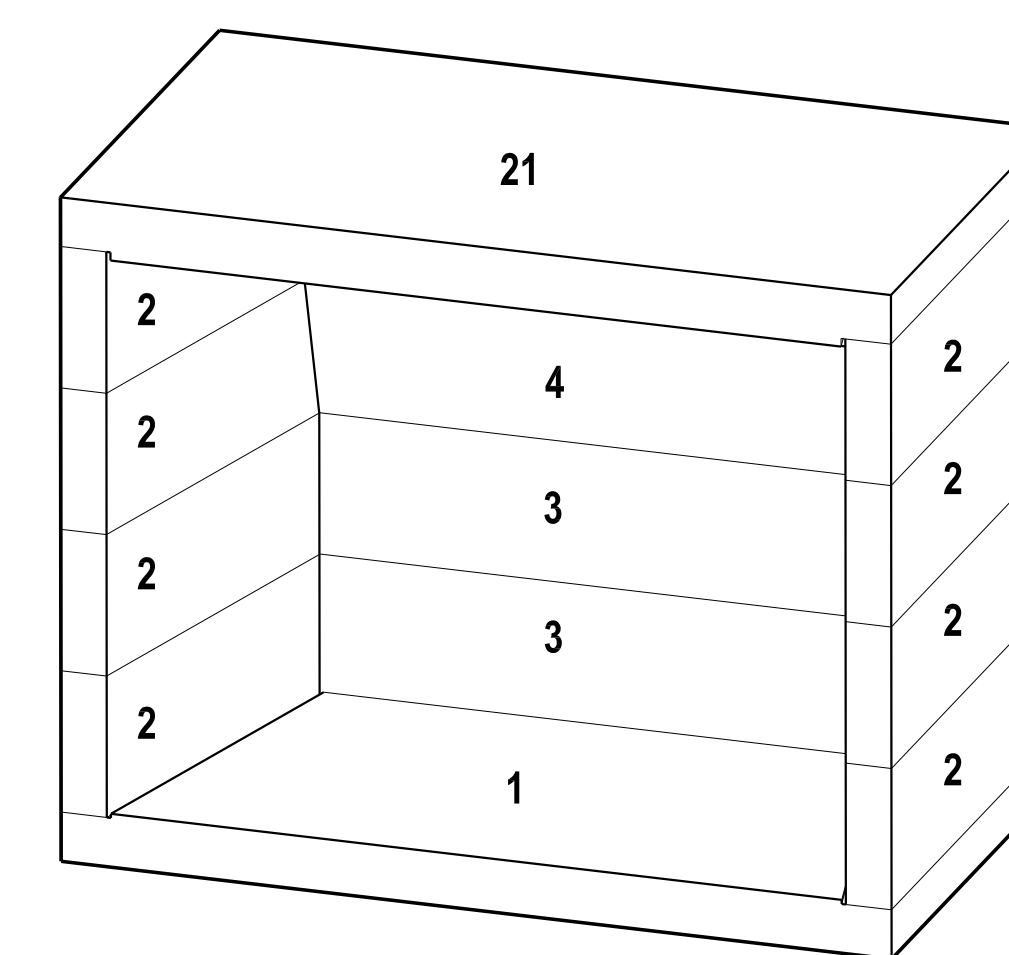
SECTION A-A

SCALE: 3/4" = 1'-0"



FRONT ELEVATION

SCALE: 3/4" = 1'-0"



ISOMETRIC

SCALE: 3/4" = 1'-0"

RELEASE DATE 04/02/09

SCALE 1" = 1'-0"

SHEET

VF