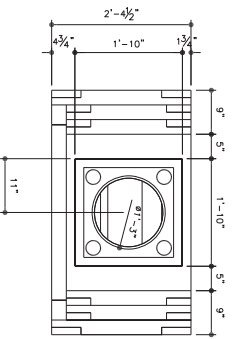


FireRock

The fireplace, rekindled.

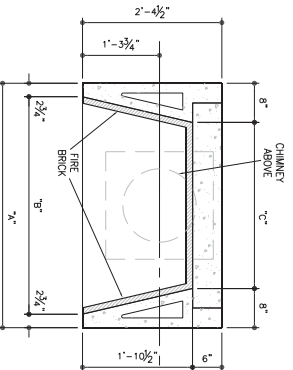
CONVENTIONAL FIREPLACE SYSTEM



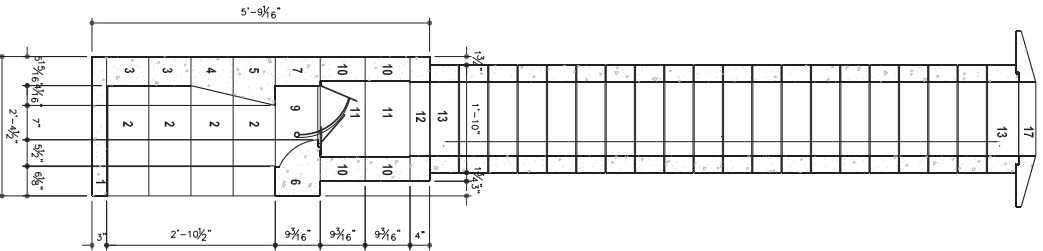
CHIMNEY PLAN SCALE: 3/4" = 1'-0"

| FIREPLACE SIZE | DIM A | DIM B | DAMPER SIZE |
|----------------|-------|---------|-------------|
| 30 | 38" | 32 1/2" | 24" |
| 36 | 44" | 38 1/2" | 30" |
| 42 | 50" | 44 1/2" | 36" |
| 48 | 56" | 50 1/2" | 42" |

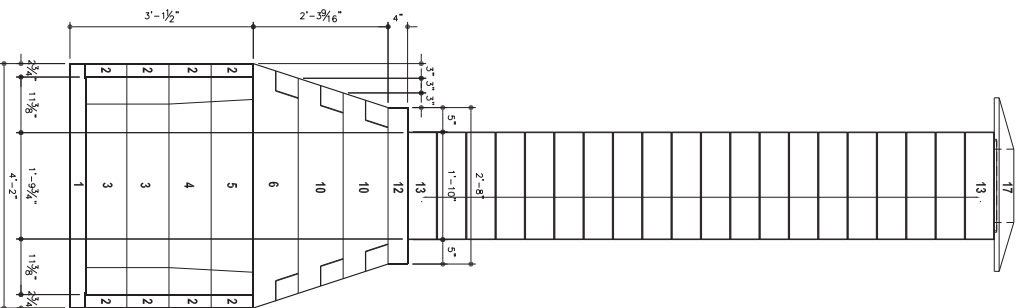
42" SIZE SHOWN TO SCALE - THIS DRAWING



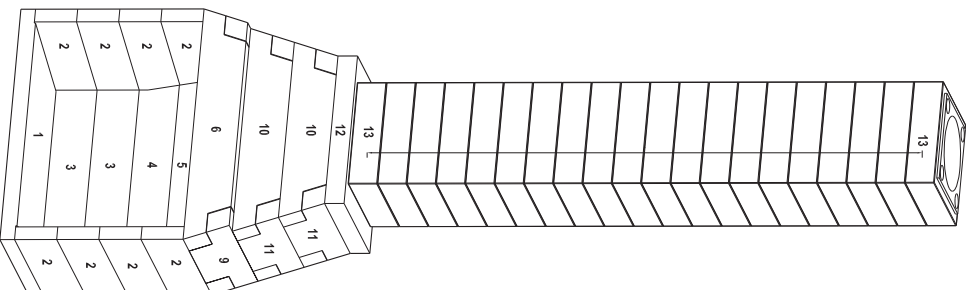
FIREBOX PLAN SCALE: 3/4" = 1'-0"



SECTION A-A
SCALE: 1" = 1'-0"



FRONT ELEVATION
SCALE: 1" = 1'-0"



ISOMETRIC
SCALE: 1" = 1'-0"

| # | COMPONENT NAME |
|----|-----------------------------------|
| 1 | BASE PLATE |
| 2 | FIREBOX SIDE |
| 3 | FIREBOX BACK- STRAIGHT BACK BLOCK |
| 4 | FIREBOX BACK- LEVEL 3 |
| 5 | FIREBOX BACK- LEVEL 4 |
| 6 | RADIUS THROAT FRONT |
| 7 | SQUARE THROAT BACK |
| 8 | THROAT LEFT SIDE |
| 9 | THROAT RIGHT SIDE |
| 10 | SMOKE CHAMBER FRONT AND BACK |
| 11 | UNIVERSAL SMOKE CHAMBER SIDES |
| 12 | CHIMNEY BASE |
| 13 | CHIMNEY BLOCK |
| 17 | CHIMNEY CAP |

RELEASE DATE: 04/02/09
SCALE: 1" = 1'-0"

SHEET
CNV