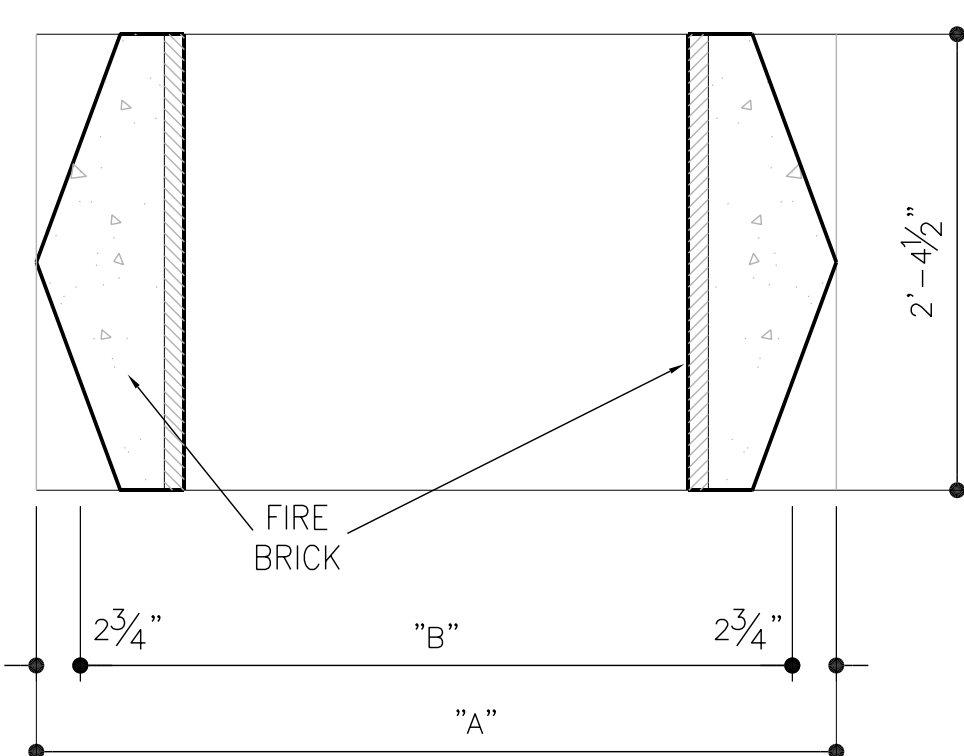


CHIMNEY PLAN SCALE: 1" = 1'-0"

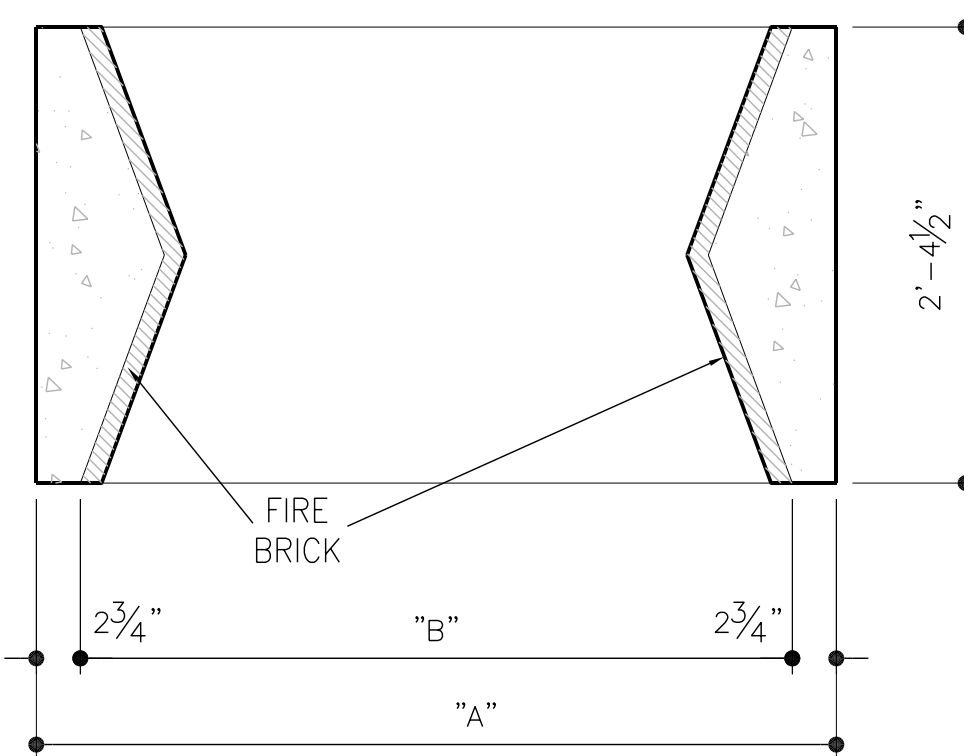
FIREPLACE SIZE	DIM A	DIM B
30	38"	32.1/2"
36	44"	38.1/2"
42	50"	44.1/2"
48	56"	50.1/2"

42" SIZE SHOWN TO SCALE - THIS DRAWING



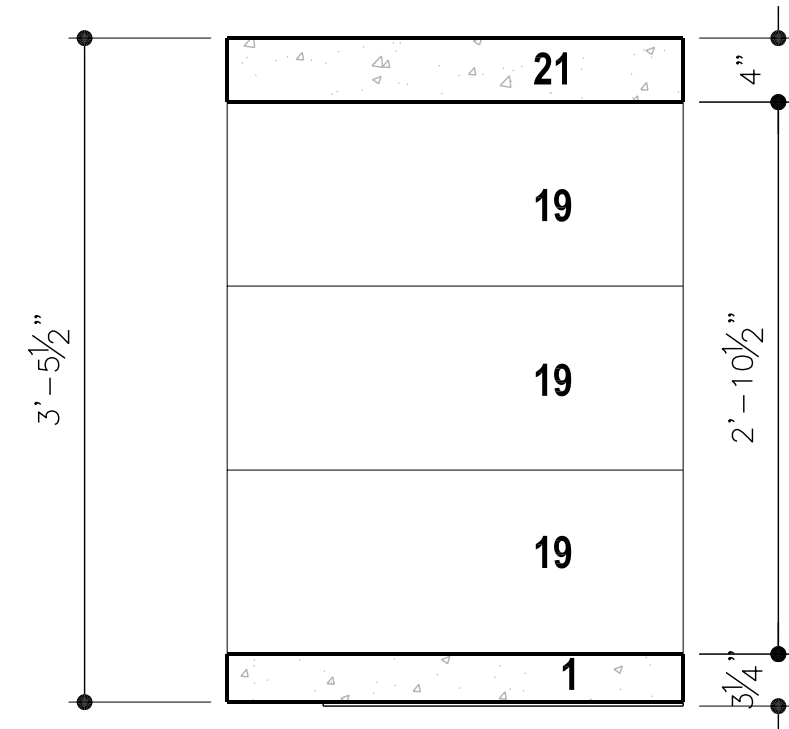
FIREBOX PLAN - ALT.

SCALE: 1" = 1'-0"



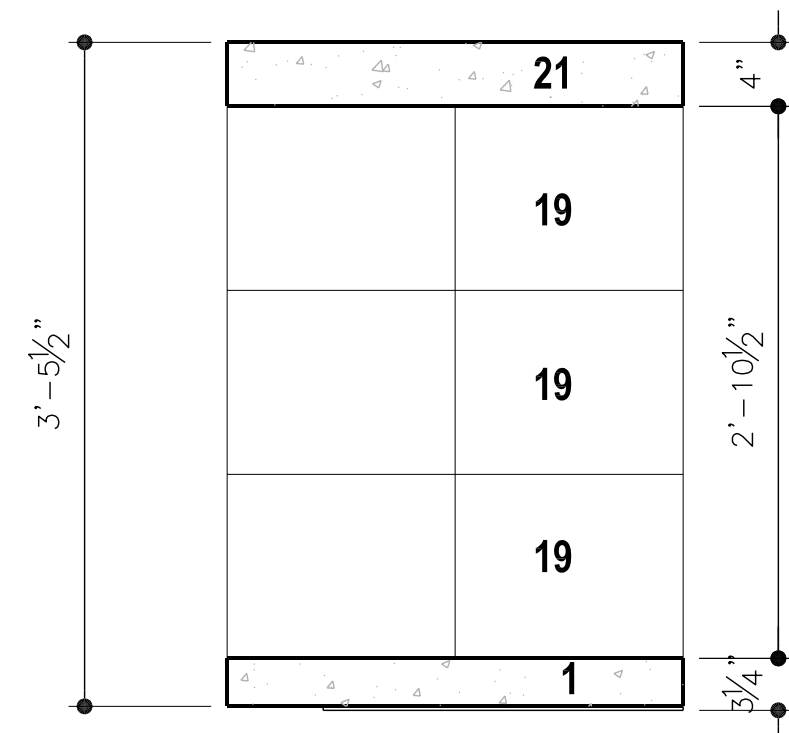
FIREBOX PLAN

SCALE: 1" = 1'-0"



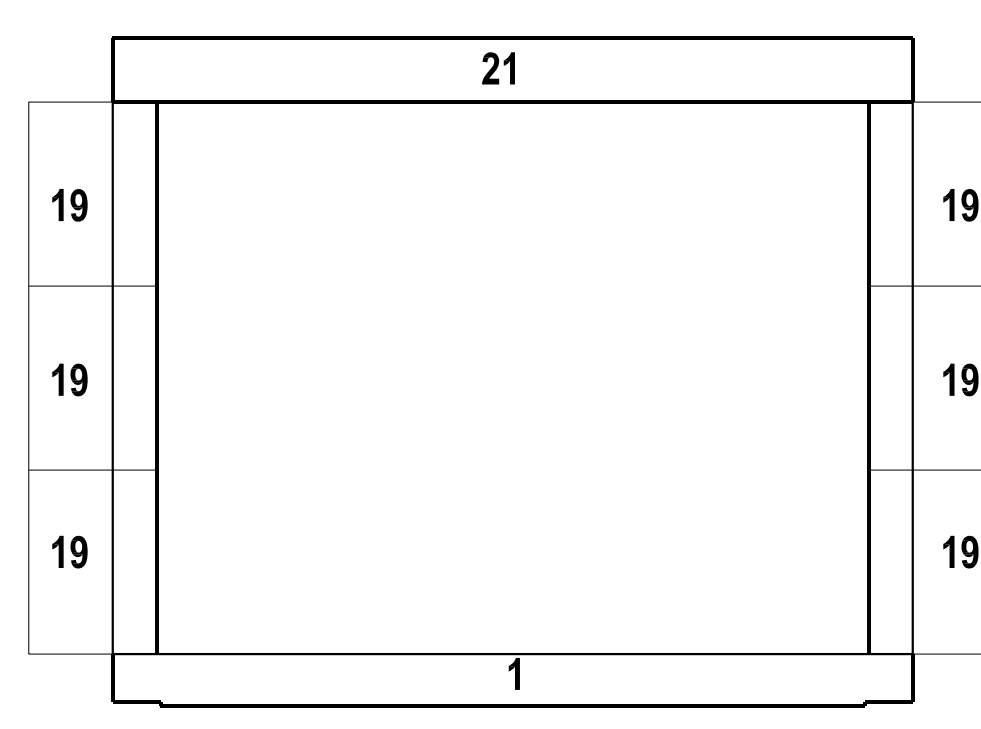
SECTION A-A - ALT

SCALE: 1" = 1'-0"



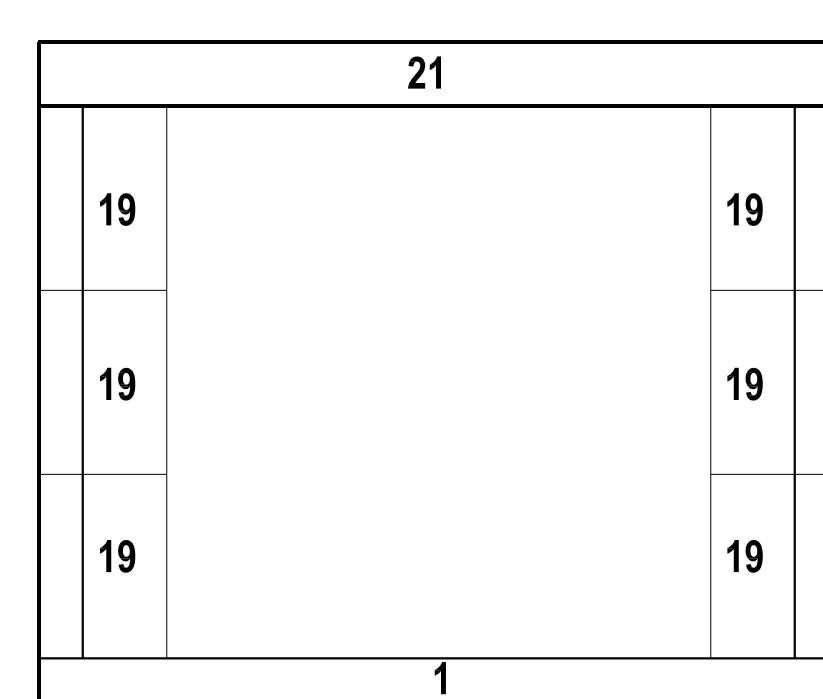
SECTION A-A

SCALE: 1" = 1'-0"



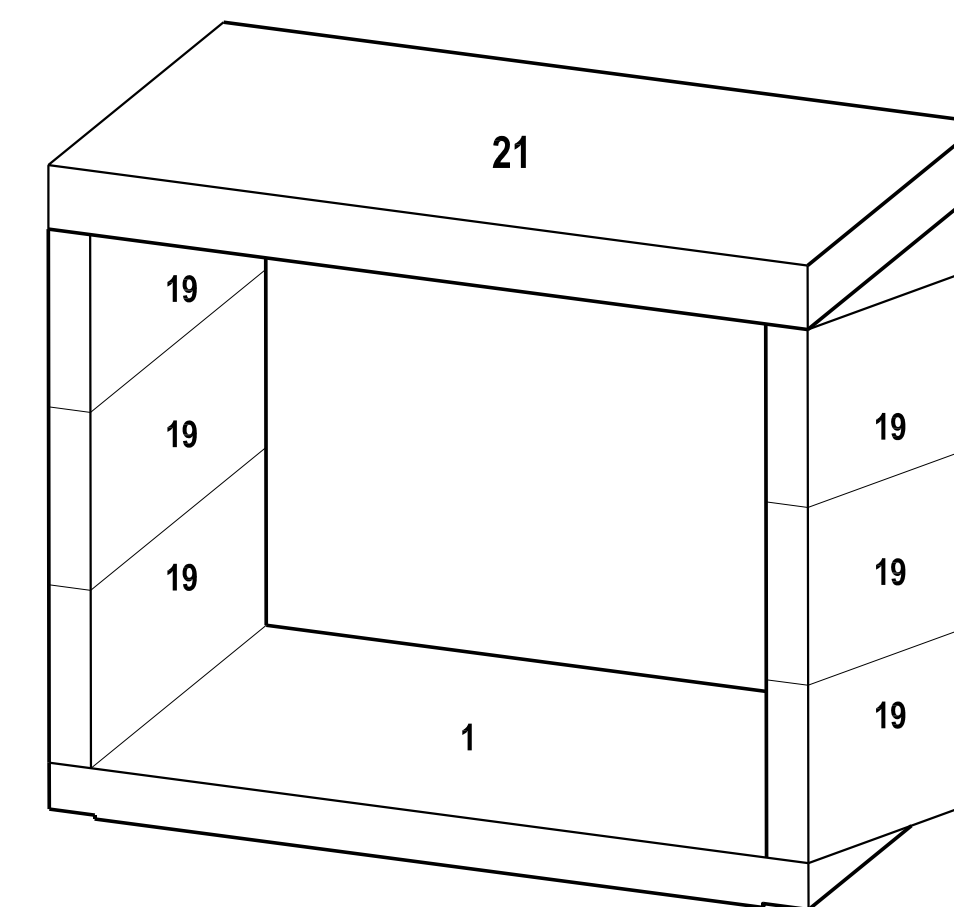
FRONT ELEVATION - ALT

SCALE: 1" = 1'-0"



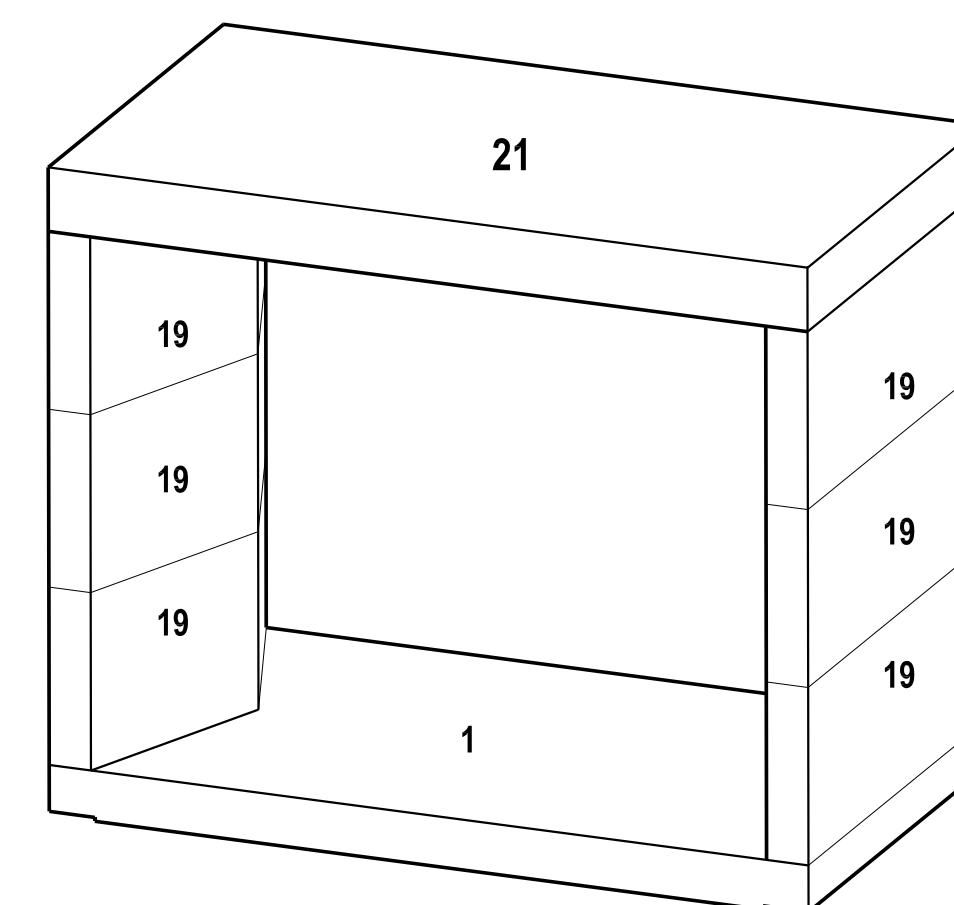
FRONT ELEVATION

SCALE: 1" = 1'-0"



ISOMETRIC - ALT

SCALE: 1" = 1'-0"



ISOMETRIC

SCALE: 1" = 1'-0"

FireRock

The fireplace, *rekindled.*

SEE-THROUGH VENT-FREE FIREPLACE SYSTEM

#	COMPONENT NAME
1	BASE PLATE
19	SEE-THROUGH FIREBOX SIDE
21	TOP PLATE

- 1.) ALL DIMENSIONS SHOWN THIS SHEET ARE SPECIFIC TO THE 42" UNIT.
- 2.) FLIP BASE PLATE AND INSTALL UP SIDE DOWN

RELEASE DATE 04/02/09

SCALE 1" = 1'-0"

SHEET

STVF