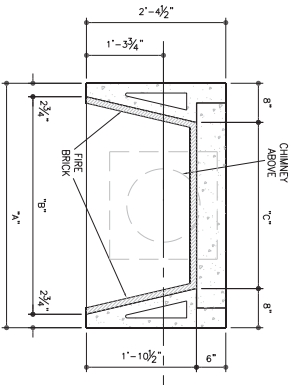


**CHIMNEY PLAN** SCALE: 1" = 1'-0"

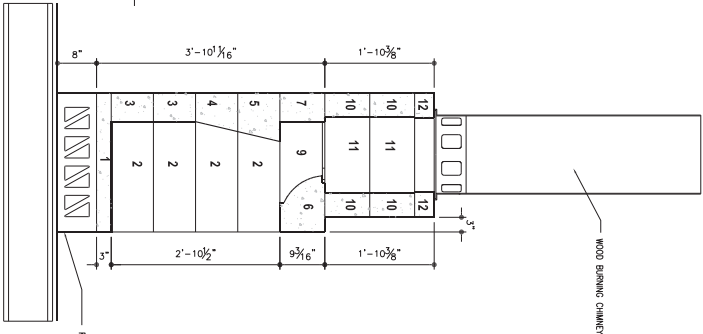
FIREPLACE SIZE	DIM A	DIM B	DAMPER SIZE
30"	38"	32 1/2"	24"
36"	44"	38 1/2"	30"
42"	50"	44 1/2"	36"

42" SIZE SHOWN TO SCALE - THIS DRAWING

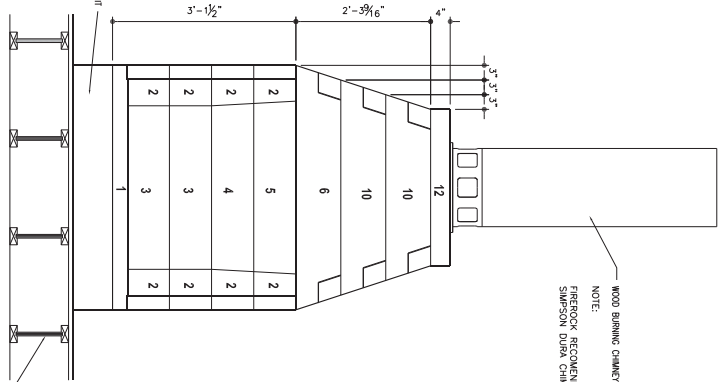


**FIREBOX PLAN** SCALE: 1" = 1'-0"

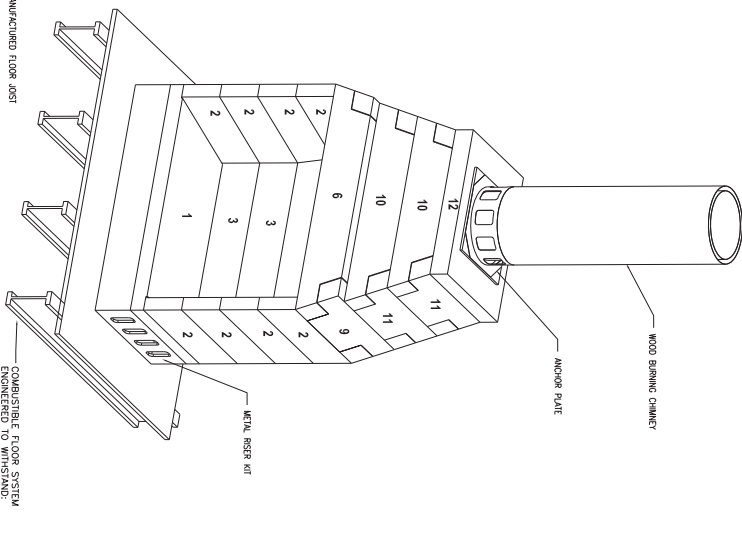
#	COMPONENT NAME
1	BASE PLATE
2	FIREBOX SIDE
3	FIREBOX BACK STRAIGHT BACK BLOCK
4	FIREBOX BACK LEVEL 3
5	FIREBOX BACK LEVEL 4
6	RADIUS THROAT FRONT
7	SQUARE THROAT BACK
8	THROAT LEFT SIDE
9	THROAT RIGHT SIDE
10	SMOKE CHAMBER FRONT AND BACK
11	UNIVERSAL SMOKE CHAMBER SIDES
12	CHIMNEY BASE



**SECTION A-A** SCALE: 1" = 1'-0"



**FRONT ELEVATION** SCALE: 1" = 1'-0"



**ISOMETRIC** SCALE: 1" = 1'-0"

**FireRock**  
The fireplace, rekindled.  
**LITEROCK  
FIREPLACE  
SYSTEM**

RELEASE DATE: 04/02/09  
SCALE: 1" = 1'-0"  
**SHEET**  
LR